



Time & Attendance
and
Access Control

Qualica-RD1000 Series



Time & Attendance
and Access Control

Key Features

QRD1000F22



Fingerprint capacity	3000
RFID Card (optional)	5000
Logs	100000



LCD screen 2,4" display
Compact solution
WiFi / Ethernet

The **QRD1000F22** terminal is a Compact RFID Card & Fingerprint Reader which perfectly fits in narrow spaces. It is equipped with a fingerprint authentication algorithm that allows a high-speed matching. QRD1000F22 provides high accurate and reliable results. The users can automatically receive feedback right from the screen.



Time & Attendance
and
Access Control

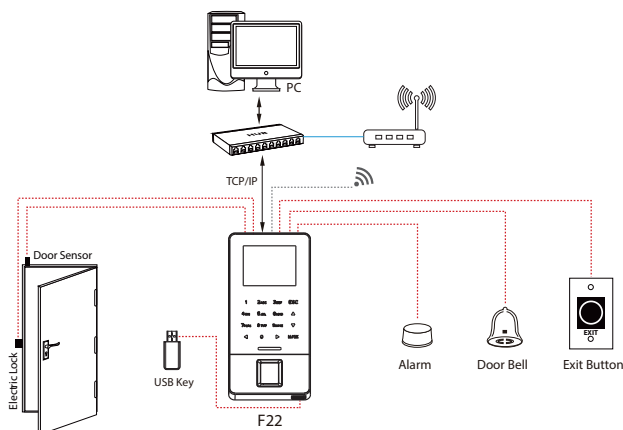
Qualica-RD1000 Series



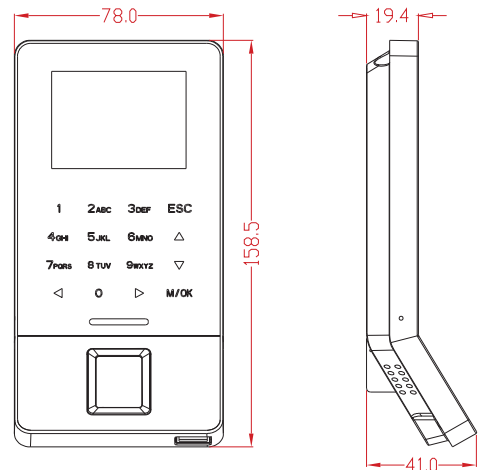
Time & Attendance Solution Biometric Reader

Fingerprint Capacity	3,000
Card Capacity	5,000 (Optional)
Logs Capacity	100,000
Display	2.4 " TFT LCD COLORUR SCREEN
Communication	WiFi, Ethernet RS232/485 TCP/IP, USB-Host,
Options	Open-door sensor, opening button, output relay for electrical lock, alarm, Wiegand in/out.
RFID Options	EM/ MIFARE [®]
Power Supply	DC 12V 3A
Speed Authentication	≤ 0.5 seconds
Operating Temperature	0°C-45°C
Operating Humidity	20% - 80%
Dimensions	159.8 x 80.7 x 19.4 mm
Weight	0.26 Kg

Configuration



Dimensions



Specifications may change without prior notice. Technical characteristics valid except for typographical errors.

