

- 230 Vac electromechanical barrier with e

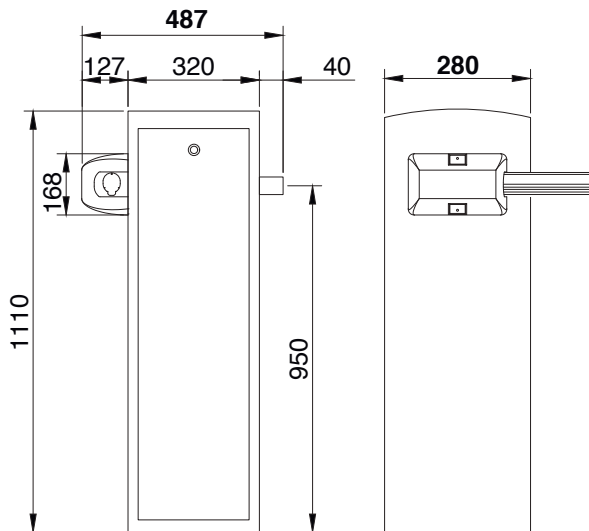


BARRERA 3/5 XT

The QRD BARRERA 3 / 5 X T barrier is designed to control vehicles in restricted accesses with heavy traffic, high-capacity parking lots or toll lanes traffic, high capacity parking lots or toll roads and where high speed maneuvering is also required. high maneuvering speed. External cabinet in steel with cat phoresis treatment painted in polyester. Three-phase 230 Vac asynchronous motor, self-ventilated and control panel with inverter to regulate the speed of the motor, programmable with programmable motor speed with deceleration functions at the end of the stroke and obstacle detection system. Obstacle detection system. Incorporates external release for manual operation in case of power failure. in case of power failure. Optional oval arm can be installed with LED lighting by means of leds.

Technical specifications	3 XT	5 XT
Power Feed	230 Vac; 50 60Hz	230 Vac; 50 60Hz
Three-phase asynchronous motor	230 Vac	230 Vac
Power	370 W	370 W
Position control	Optical encoder	Optical encoder
Oval arm length H65	3 m	5 m
Maneuvering time	0'7 s	3 s
Investment per impact	Yes	Yes
Thermal range	-30°C /+60°C	-30°C /+60°C
Cycles/day	20.000 c/d	5.000 c/d
Protection	IP 54	IP 54
Weight	59 Kg	59 Kg

Dimensions and Details



- 230 Vac electromechanical barrier with encoder.
- Motor with speed regulation by inverter.
- Use in **very heavy traffic**.
- Torque control with reversal in case of obstacle.
- Quick external release.
- Easy left/right hand changeover.
- Control panel compatible with communication protocols TCP/IP y RS485.
- **Manufacture in stainless steel on request.**

Related Accesories



Fork



Pendulum foot



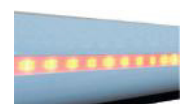
Oval arm H65



Arm joint



Valance



Leds KIT